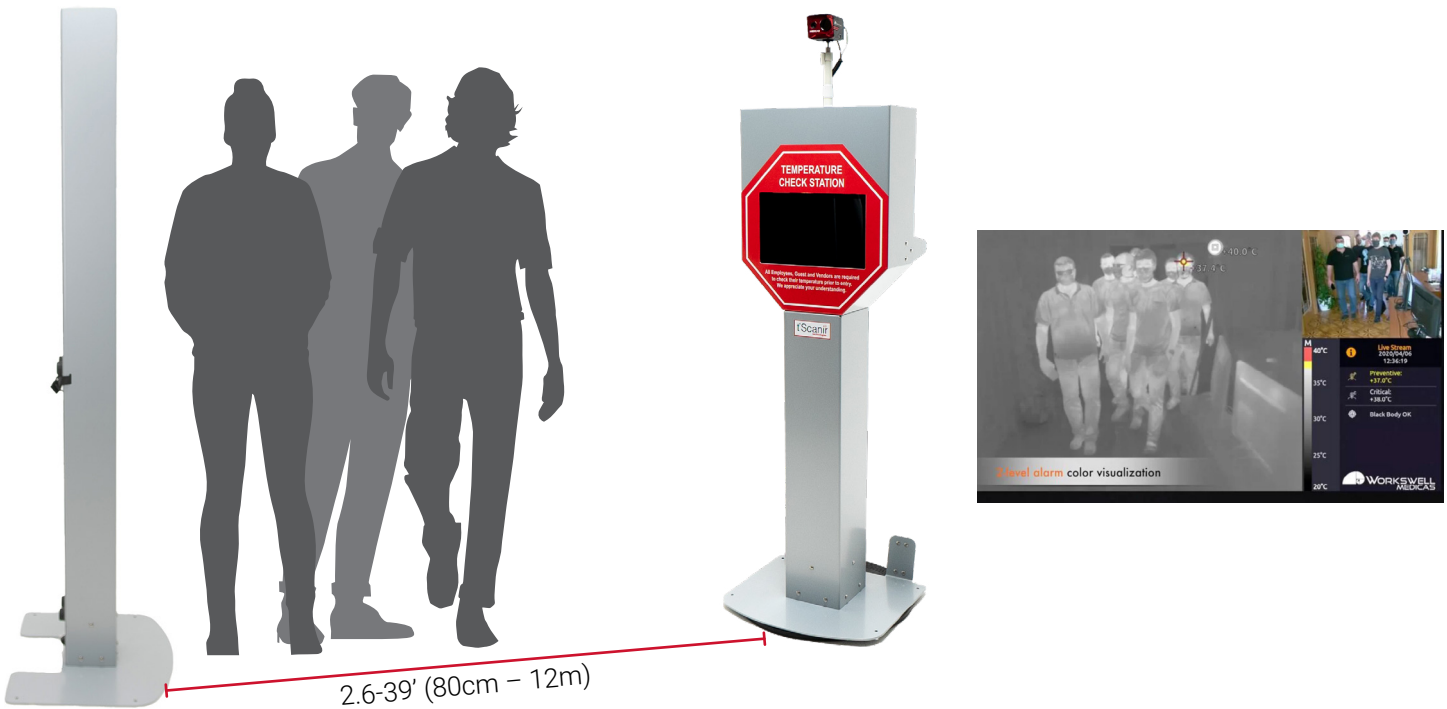


Mobile Thermal Temperature Check Station

for High Volume Areas

As doors re-open for business, sports, and entertainment, proactive health & wellness strategies need to be implemented. Automatic Thermal Temperature Screening stations are your first line of defense. They quickly, effectively, and non-invasively scan people; flagging individuals who have signs of an elevated temperatures.



Model #: tScanir 640

Simple

- Plug and play set-up
- On-board alarms: LED signal and sound warning with individual tracking
- No Internet connection required
- Full service support

Safe

- Scan large groups or individuals
- Meets FDA requirements*
- GDPR compliant
- No face mask removal
- Fever indicative technology

Accurate

- 327k+ temperature scans/reading
- Accuracy $\pm 0.36^{\circ}\text{F}$ ($\pm 0.2^{\circ}\text{C}$)
- Constant auto calibration
- WKU certified online course included - \$495 value

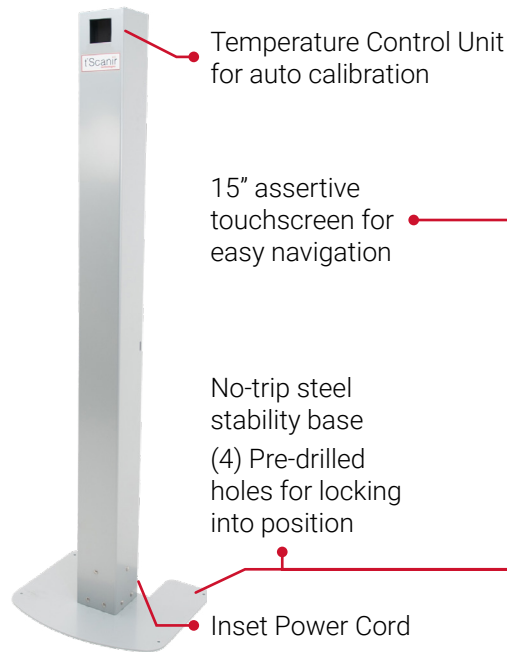
Mobile

- Ergonomic design
- Small shipping footprint
- Aluminum construction
- Easy manageability; size/stature

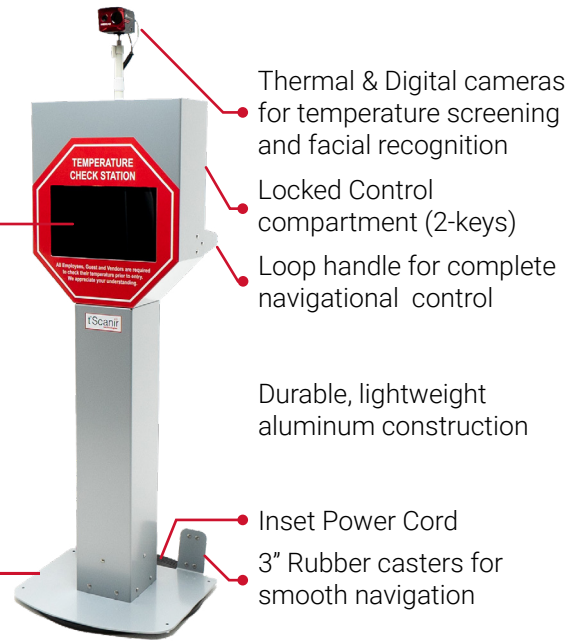
*Dependent upon set-up configuration. FDA requires people to be scanned one at a time.



For more information go to:
www.tscanir.com or call us at
855-tScan-84 (855-872-2584)



Temperature Control Unit Tower



Control Tower

t°Scanir Mobile Thermal Temperature Station	
Screens body temperature (set-up dependent)	✓
327,000+ temperature reading per scan	✓
Plug & play, fast installation	✓
FDA approved thermal camera	✓
Customizable temperature alarm	✓
May be connected to your network	✓

- Works behind your firewall – no internet connection required
 - GDPR compliant
 - Automatic detection; real-time without delay
 - Variable distance 2.6–39 feet (80cm – 12m)
 - On-board alarms: LED signal and sound warning
- Added Value:**
- Consultation Service**
- Determine the best Temperature Check Station and placement for your needs
- Policy & Procedure Consultation**
- We help you document it
- Free Education – \$495 Value**
- Exclusive access to Elevated Body Temperature Thermologist Certified Online Training from Western Kentucky University.

For more information go to:
www.tscanir.com or call us at
855-tScan-84 (855-872-2584)

**FDA: Enforcement Policy for Telethermographic Systems During the Coronavirus Disease 2019 (COVID-19) Public Health Emergency, April 2020